

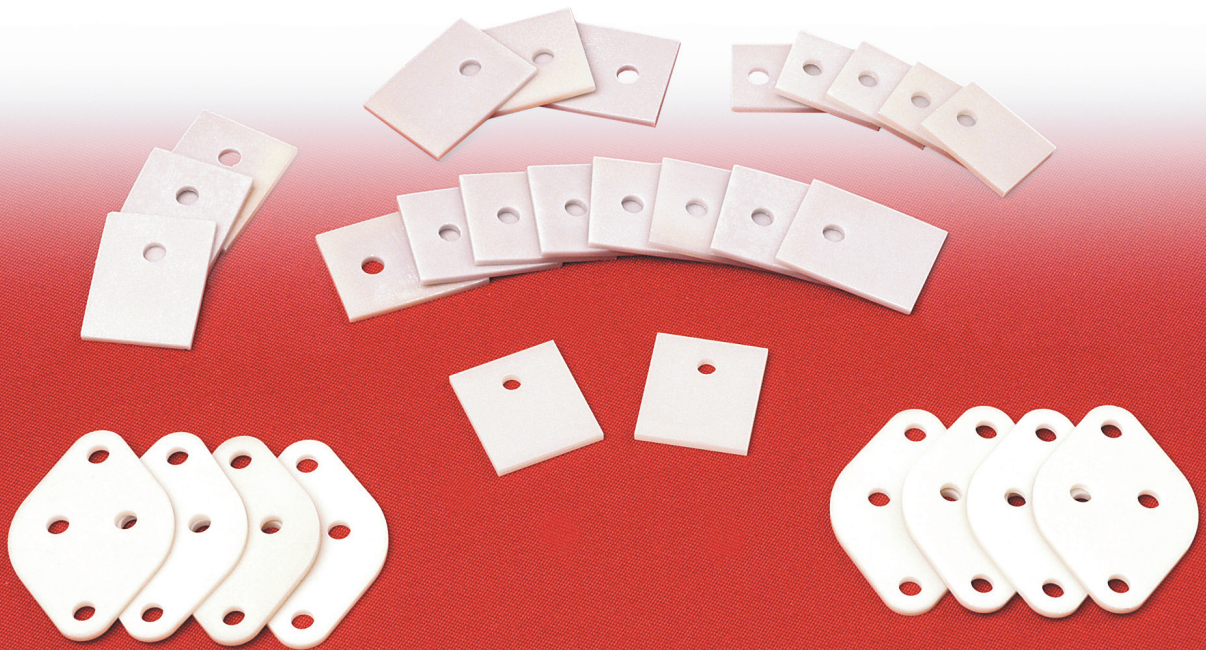
CERAMIC TO-INSULATORS

Sienna ST-200 AlN TO-insulators have extremely high thermal conductivity and mechanical stability over a wide operating temperature range. The key attributes of Sienna ST-200 AlN TO-Insulators are:

- Extremely high thermal conductivity
- High dielectric strength
- High mechanical strength
- Excellent surface smoothness
- Extremely high temperature resistance
- No toxicity - Aluminum Nitride poses no special disposal requirements
- Available in high volumes in standard and custom configurations

Product Availability

- Standard TO-3, TO-220, and TO-247/248 are available from stock
- Custom sizes and configurations according to the customer specifications are also available upon request.



Sienna's technical team is ready to help you implement Aluminum Nitride in your next generation of products. Contact us for applications assistance and fast prototyping.

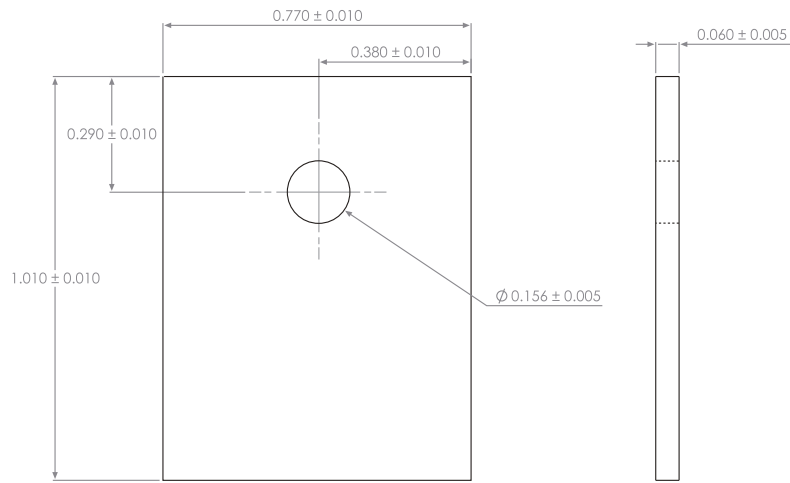
425-485-7272

www.siennatech.com

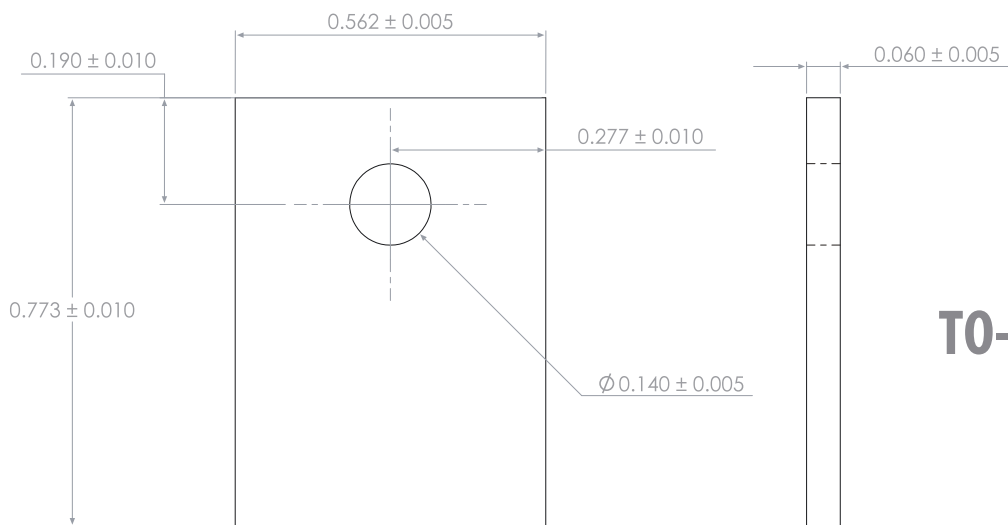
11611 49th Place West
Mukilteo, WA 98275

 **SIENNA**
TECHNOLOGIES Inc.®
providing solutions through advanced materials

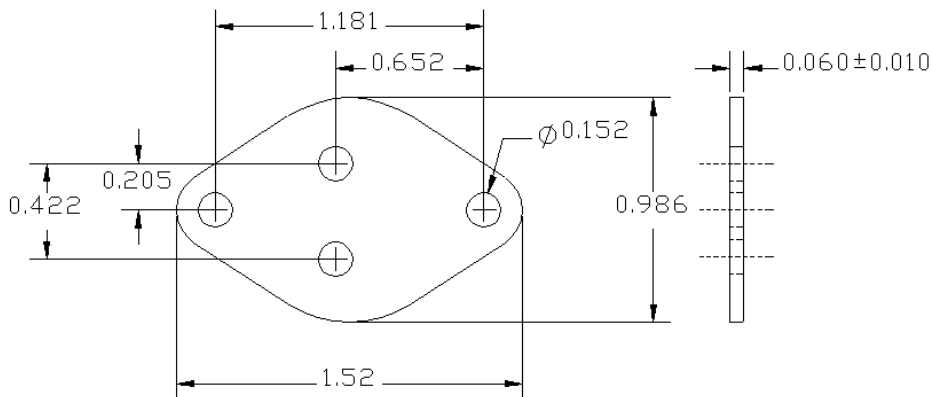
STANDARD TO-INSULATOR CONFIGURATION & DIMENSIONS



TO-247



TO-220



TO-3